



SN™ Series II

SN-8MB



Applications

SN-8MB

When very compact and light weight loudspeaker systems are required the SN-8MB is an ideal design. Like all SN Series II designs, the SN-8MB was designed for a specific application. This 8 inch (213mm) diameter loudspeaker is ideal for applications where a very portable system or small enclosure size is specified. It is ideal for light weight two way compact systems and also ideally suited as a very high output small format mid bass driver in three way systems.

Like all loudspeakers in the SN Series II family, the SN 8MB features a Neodymium based permanent magnetic system mounted to a die cast aluminum chassis. This 8 inch design features a 2 inch diameter (50.8mm) voice coil design. The voice coil diameter is large compared to the cone diameter and this voice coil diameter insures high reliability and high power handling. The operating bandwidth is 60Hz to 2000Hz. This response range is optimized for two way system designs for both small format sound reinforcement and installed public address designs.

The SN-8MB is also an ideal for high performance direct radiator and horn loaded mid bass designs. When used from 150Hz to 2000Hz, this design can provide superb mid band and vocal band performance levels. The new cone material provides a very high degree of vocal clarity and intelligibility.

Specifications

GENERAL SPECIFICATIONS

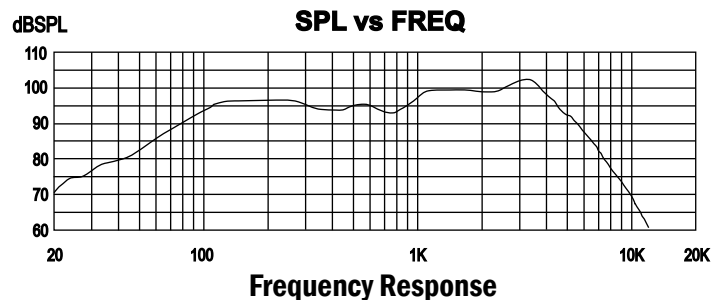
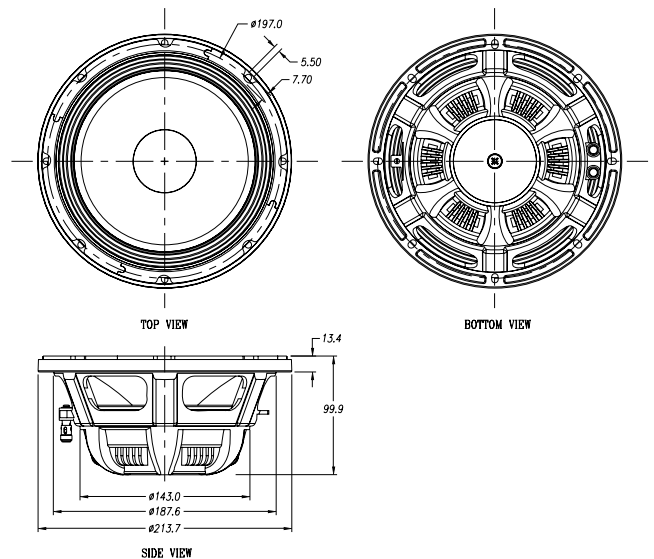
Nominal Impedance	8 Ω
Power	150 Watt (rms)
SPL 1W@1M average sensitivity	95 dB
Frequency Response	60Hz - 2000Hz
Dimension Ø x H (cm)	21.4 x 10.0
Net Weight	2 kg (4.4 lbs)
Shipping Weight	2.7 kg (5.9 lbs)
Packing Dimension H x W x D (cm)	23.5 x 23.5 x 13.7 (0.3cu.ft)
	9.3" x 9.3" x 5.4"

PHYSICAL SPECIFICATIONS

Magnet type	Neodymium
Voice Coil Diameter	50.8 mm (2 inch)

THIELE/SMALL PARAMETERS

Resonance Frequency	Fs	60 Hz
DC. Resistance	Re	5.6 Ω
Coil Inductance	Le	0.29 mH
Mechanical Q Factor	Qms	4.14
Electrical Q Factor	Qes	0.41
Total Q Factor	Qts	0.37
BL Product	BL	9.5 Tm
Effective Moving Mass	Mms	17.12 g
Equivalent Cas Air-Load	Vas	29.15 Liters
Effective Piston Area	Sd	0.023 Sqm
Half-Space Efficiency	Eff	1.57 %
Airgap Height	Hag	8.0 mm
Voice Coil Height	Hvc	12.0 mm
Voice Coil Overhang	Xmax	2.0 mm



19/4 Moo 2 T.Bangkratuk A.Samparn Nakornpathom 73210 Thailand
 Tel: +66-2-441-6600 Auto 30 Lines
 e-mail: info@paudiothailand.com
 Website: www.paudiothailand.com
 All rights reserved by P.Audio System Co.,Ltd. 2007

