



HORN SERIES

SC-1064

HF Horn 1.0 inch



General Specification

Throat diameter	25.4 mm / 1.0 in
Nominal coverage angle (H° x V°)-6dB	60° x 40°
Cut off frequency	800 Hz
Mounting type	Bolt on
Material	Injection polymer A.B.S
Unit weight	1.0 kg / 2.2 lb
Shipping weight	1.5 kg / 3.3 lb
Packaging dimension WxDxH	280x280x160 mm 11.0x11.0x6.3 in

Mounting Information

Mounting dimensions	
Rear height	235 mm / 9.25 in
Rear width	235 mm / 9.25 in
Overall dimensions	
Mount height	270 mm / 10.63 in
Mount width	270 mm / 10.63 in
depth	135 mm / 5.31 in
Baffle cutout dimensions	
Height	237 mm / 9.33 in
Width	237 mm / 9.33 in

Applications

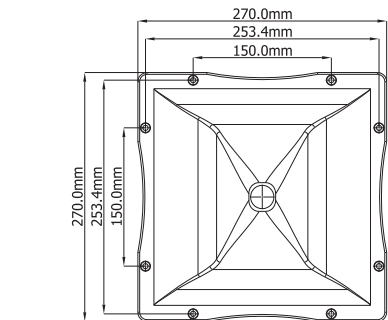
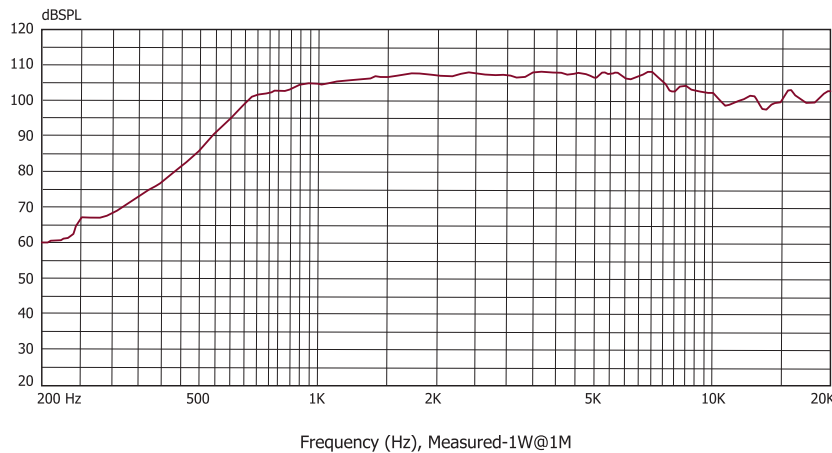
The P Audio SC-1064 is a wide bandwidth constant directivity waveguide designed for use in very high performance sound reinforcement system designs. The SC-1064 is a fully rotatable horn and features a very controlled 60 degree by 40 degree included angle radiation pattern. The design features a flat front geometry with scalloped edges that allow the SC-1064 to fit closely to the associated low frequency transducer. This feature can produce very compact enclosure designs.

The SC-1064 is an industry standard 1.0 inch (25.4mm) throat design and includes a bolt on style mounting flange. This standard throat diameter allows for a wide variety on compression driver to be used with the horn. The P Audio SC drivers that feature a 1 inch exit diameter are excellent companion products for the 1.0 inch SC horns.

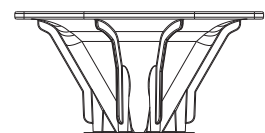
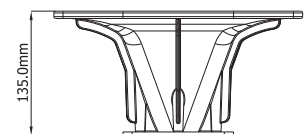
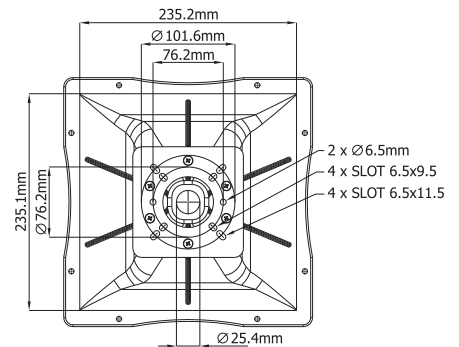
The low frequency flare limit of 800Hz allows the SC-1064 to be used with a wide variety of low frequency devices. A minimum crossover frequency of 1200 Hz is recommended for low distortion and high reliability performance in professional applications.

The SC-1064 is an injection molded design featuring thick cross sections of very high strength glass filled ABS. The SC-1064 is an ideal choice for high performance professional sound reinforcement and public address system designs when medium to long throw requirements are specified.

Frequency Response Curve



8 x Ø5.7mm THRU ALL
L x Ø10.0mm ± 3.0



* Response of horn with SC1-N