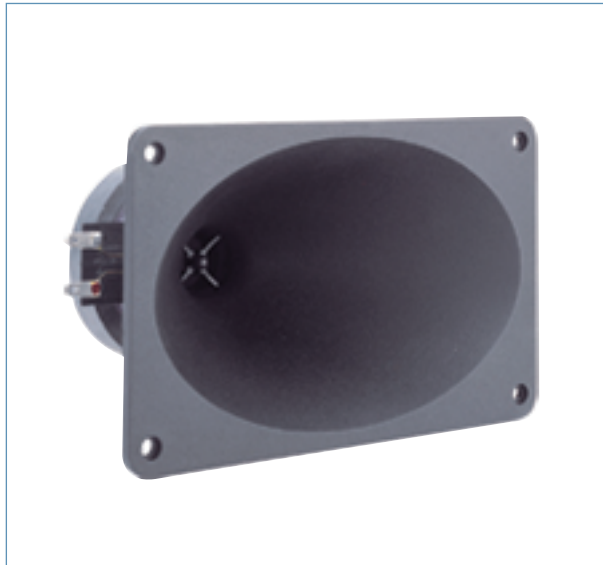


Applications

PHT-416

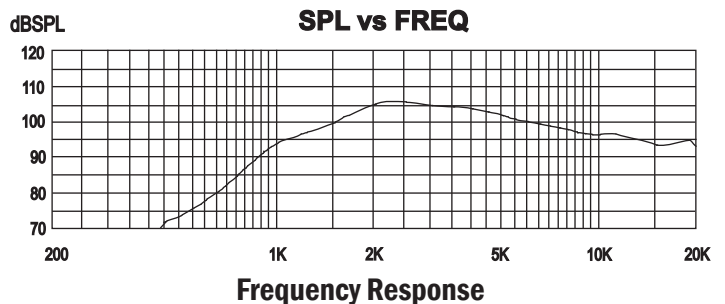
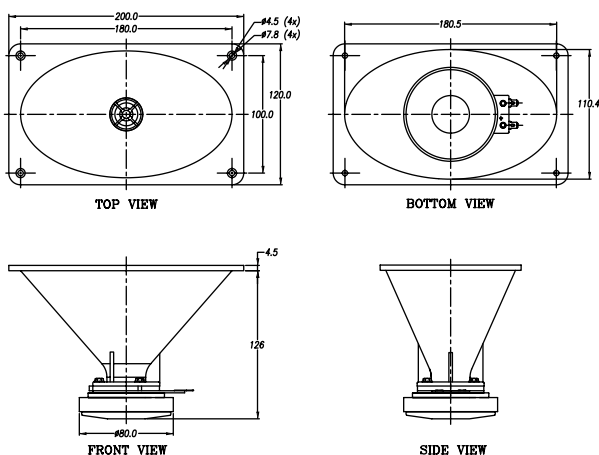
The P Audio PHT-416 is an elliptical wave guide integrated high frequency horn and driver. The driver is operating in true compression mode. The elliptical mouth geometry is a small format design with a horizontal dimension of 7.8 inches (200mm). The vertical mouth dimension of 4.7 inches (120mm) allows the PHT-416 to be used in compact sound reinforcement designs. The integrated horn and driver may be used as the high frequency driver in systems utilizing woofers ranging from 8 inch diameter up to 12 inches in diameter.

The PHT-416 offers a rated bandwidth of 1.5kHz to beyond 16kHz. The rated coverage angles are nominally 90 degree in the horizontal plane and 40 degree in the vertical plane. The small physical size of the PHT-416 make it ideal for foreground and background system designs used in pubs, night clubs, restaurants, and general sound reinforcement systems. The horn is constructed using a rugged ABS resin with additional glass filling for increased structural integrity.



Specifications

Diaphragm Diameter	1.0 inch (25.4mm)
Nominal Impedance	8 Ohm
Voice Coil DC Resistance	8 Ohm
Power Handling	30 Watt
Sound Pressure Level (1W@1M)	100 dB
Magnet	Ferrite
Diaphragm Material	Titanium
Horn Material	A.B.S With Glass Filled Black Polycarbonate
Nominal Coverage Angle (H x V) -6 dB	90° x 40°
Cutoff frequency	1.5 kHz
Baffle cutout dimension	110mm x 180mm 4.33" x 7.08"
Net Weight	0.72kg (1.58 lbs)
Shipping Weight	0.86kg (1.89 lbs)



19/4 Moo 2 T.Bangkratuk A. Samparn Nakornpathom 73210 Thailand
 Tel: +66-2-441-6600 Auto 30 Lines
 e-mail: info@paudiothailand.com
 Web site: www.paudiothailand.com
 All rights reserved by P.Audio System Co., Ltd. 2007

