

Applications

PHT-407N

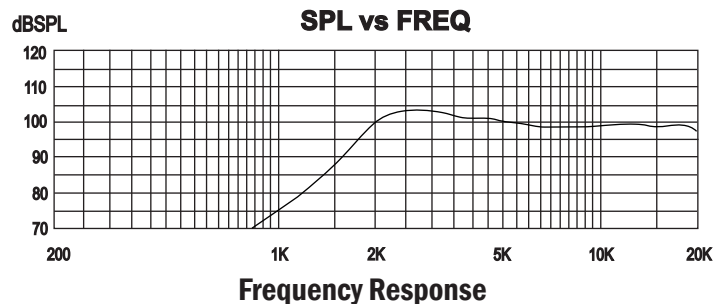
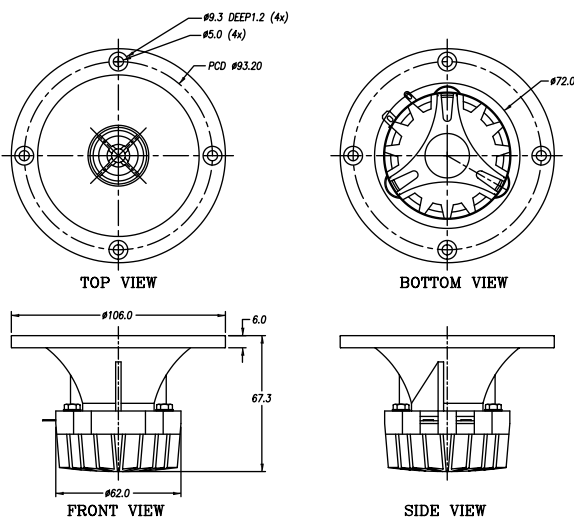
The PHT-407N is a horn loaded super tweeter designed for use in three way systems or small background two way designs. The PHT-407N offers a high sensitivity of 100dB SPL at one watt and one meter. This high sensitivity is achieved thru the use of a computer optimized neodymium based permanent magnet system. The PHT-407N offers a full 2dB of increased output capability over the Ferrite based PHT-407. This makes the system an excellent choice over conventional direct radiator tweeter designs when high acoustic output is required without a loss in operating bandwidth. The PHT-407N offers extended response to beyond 20kHz. This makes the system a true super tweeter and, combined with the high, professional level, output capability mean the PHT-407N can be used in many applications where direct radiator high frequency devices are not capable.

The high frequency horn is a rugged ABS resin with additional glass filling for both structural integrity and mechanical damping. The 1 inch diameter (25.4mm) diaphragm assembly and P Audio designed assembly methods make the device and excellent choice for high fidelity music systems in restaurants, pubs and retail spaces.



Specifications

| | |
|------------------------------|---|
| Diaphragm Diameter | 1.0 inch (25.4mm) |
| Nominal Impedance | 8 Ohm |
| Voice Coil DC Resistance | 7.8 Ohm |
| Power Handling | 20 Watt |
| Sound Pressure Level (1W@1M) | 100 dB |
| Magnet | Neodymium |
| Diaphragm Material | Titanium |
| Horn Material | A.B.S With Glass Filled Black Polycarbonate |
| Nominal Coverage Angle -6 dB | 60° |
| Cutoff frequency | 2 kHz |
| Baffle cutout dimension | Ø 75 mm Ø 2.95" |
| Net Weight | 0.19kg (0.41 lbs) |
| Shipping Weight | 0.23kg (0.50 lbs) |



19/4 Moo 2 T.Bangkratuk A. Samparn Nakornpathom 73210 Thailand
 Tel: +66-2-441-6600 Auto 30 Lines
 e-mail: info@paudiothailand.com
 Web site: www.paudiothailand.com
 All rights reserved by P.Audio System Co., Ltd. 2007

