

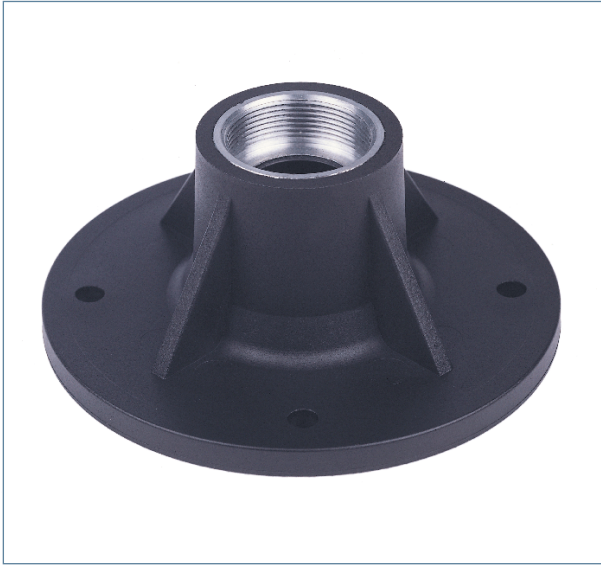


# Horn And Driver Adaptors PC-5025S

## Applications

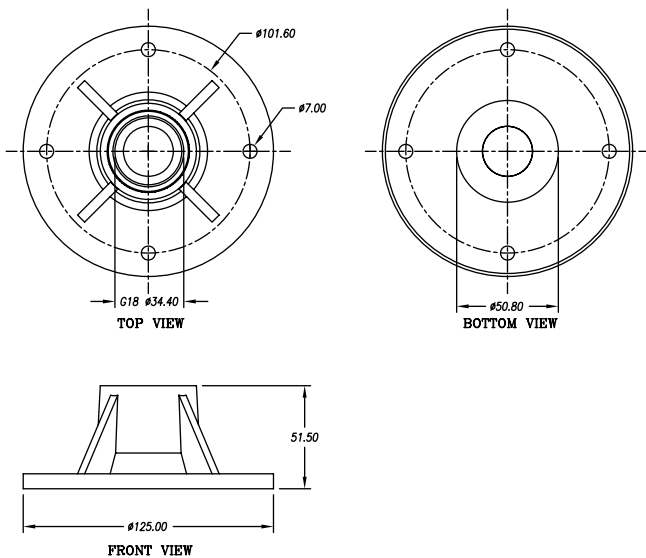
PC-5025S

The PC-5025S is designed to mate 1 inch (25.4mm) exit diameter screw on style compression drivers to high frequency horns with a standard 2 inch (50 mm) bolt on throat.



## Specifications

Overall Dimension	: 125 x 51.5	mm
Material	: Plastic	
Net Weight	: 0.20 kg	(0.44 lbs)
Shipping Weight	: 0.23 kg	(0.51 lbs)
Packing Dimension	: 130 x 130 x 60	mm



19/4 Moo 2 T.Bangkratuk A. Samparn Nakornpathom 73210 Thailand  
Tel: +66-2-441-6600 Auto 30 Lines  
e-mail: [info@paudiothailand.com](mailto:info@paudiothailand.com)  
Web site: [www.paudiothailand.com](http://www.paudiothailand.com)  
All rights reserved by P.Audio System Co., Ltd. 2007

