



ETM Series II

E-12LF



Specifications

GENERAL SPECIFICATIONS

Nominal Impedance	8 Ω
Power	800 Watt (rms)
SPL 1W@1M average sensitivity	95 dB
Frequency Response	50Hz - 2000Hz
Dimension \varnothing x H (cm)	31.2 x 14.3
Net Weight	8.8 kg (19.4 lbs)
Shipping Weight	10 kg (22 lbs)
Packing Dimension H x W x D (cm)	34.5 x 34.5 x 18.5 (0.8cu.ft)
	13.6" x 13.6" x 7.3"

PHYSICAL SPECIFICATIONS

Magnet type	Ferrite
Voice Coil Diameter	101.6 mm (4 inch)

THIELE/SMALL PARAMETERS

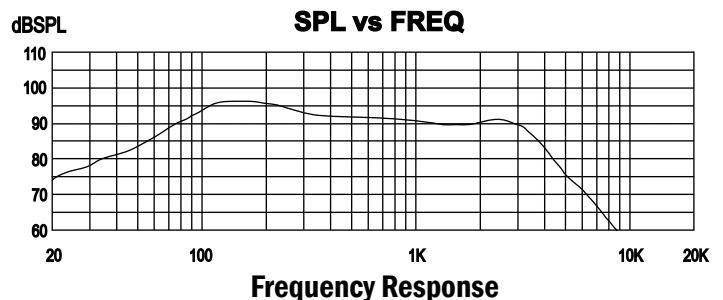
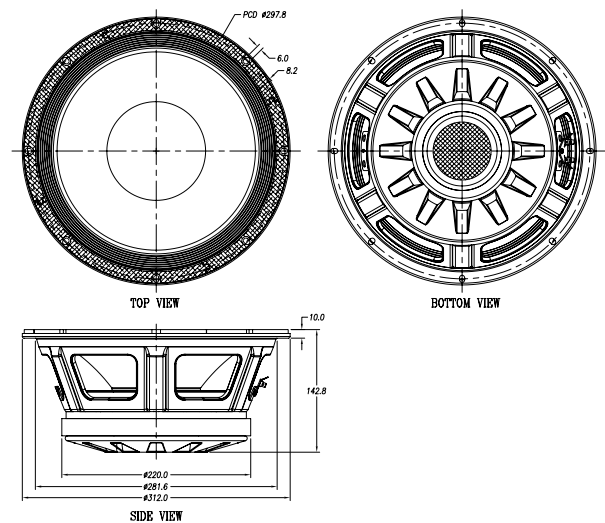
Resonance Frequency	Fs	37 Hz
DC. Resistance	Re	6.00 Ω
Coil Inductance	Le	1.09 mH
Mechanical Q Factor	Qms	6.10
Electrical Q Factor	Qes	0.41
Total Q Factor	Qts	0.38
BL Product	BL	18.52 Tm
Effective Moving Mass	Mms	98.32 g
Equivalent Cas Air-Load	Vas	72.63 Liters
Effective Piston Area	Sd	0.0550 Sqm
Half-Space Efficiency	Eff	0.92 %
Airgap Height	Hag	8.0 mm
Voice Coil Height	Hvc	23.0 mm
Voice Coil Overhang	Xmax	7.5 mm

Applications

E-12LF

The P Audio E Series II features a very versatile 12 inch (312mm) transducer designed for use in professional level two way sound reinforcement systems. The E-12LF is a high performance design based around a large format 4 inch (101.6mm) diameter voice coil. This coil design will provide very high power handling and long term reliability in demanding professional applications. The multi layer voice coil utilizes high conductivity copper and very high thermal capacity adhesives to deal with the input power levels found in modern professional environments.

The E-12LF utilizes a rigid stamped steel chassis mated to a large format Ferrite based permanent magnetic system. The E-12LF has been optimized using computer based modeling techniques and is rated for operation between 50Hz and 2000Hz. This rated bandwidth is ideally suited for two way designs where the high frequency response is provided by a professional level compression driver and horn combination. If elevated level mid bass operation is specified, P Audio also offers the E-12LF as an alternative to the E-12LF. A newly developed cone material substantially improves mid band time domain response and will yield superior vocal fundamentals. When full range response is specified for a two way system the E-12LF is the ideal choice to provide excellent acoustic reproduction.



19/4 Moo 2 T.Bangkratuk A.Samparn Nakornpathom 73210 Thailand
 Tel: +66-2-441-6600 Auto 30 Lines
 e-mail: info@paudiothailand.com
 Website: www.paudiothailand.com
 All rights reserved by P.Audio System Co.,Ltd. 2007

