



Applications

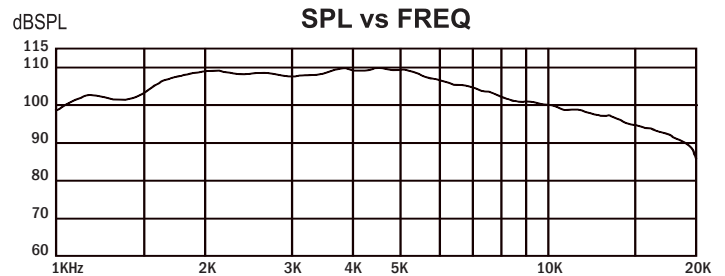
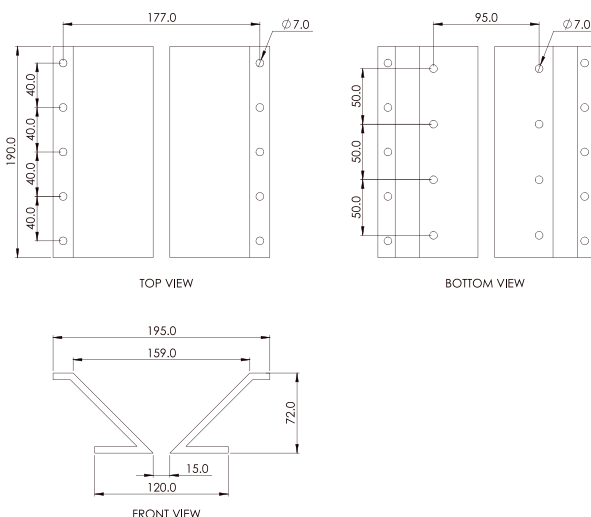
CL-WG

The P Audio CL-WG is a 90 degree included horizontal angle wave guide (WG) designed to be used with the P Audio CL35 and CL25 line array converging lens devices. The CL-WG will mount directly to either the PH-CL35 or the PH-CL25 and has been designed to provide both wide band acoustic loading and directivity control for the high frequency section of any professional line array system. The straight wall geometry will provide constant directivity pattern control in the horizontal plane. Vertical pattern control and the consequent vertical included angle is determined by the number of CL-WG devices in a vertical orientation.

The CL-WG is a rugged aluminum die cast design and has been designed to allow multiple wave guides to be configured in a vertical stack. The CL-WG is a very high performance directivity control device and is an excellent solution for both small format and large format professional line array systems.

Specifications

Coverage Angle	90 degree
Cut Off Frequency (Hz.)	1500Hz
Throat Diameter	Load with PH-CL35 or PH-CL25
Mounting Type	BOLT ON
Construction	Die cast Aluminium
OVERALL DIMENSIONS :	
Mount Height :	177 mm (6.97")
Mount Width :	190 mm (7.48")
Length :	72 mm (2.83")
Net Weight :	1.0 kg (2.2 lbs)
Shipping Weight :	1.3 kg (2.9 lbs)
Packing Dimension :	100mm x 145mm x 190mm 3.9" x 5.7" x 7.4"



Response of horn with BM-D446

19/4 Moo 2 T.Bangkratuk A. Samparn Nakornpathom 73210 Thailand
 Tel: +66-2-441-6600 Auto 30 Lines
 e-mail: info@paudiothailand.com
 Web site: www.paudiothailand.com
 All rights reserved by P.Audio System Co., Ltd. 2010

