

**Ferrite Magnet Die-cast Chassis Driver**



**Features**

- 4" Large Format Voice Coil
- 4800 Watts Peak Power Handling
- Active Balanced Cooling
- Ferrite Magnetics
- Precision Rectangular Ribbon Wire
- Single Spider Suspension
- Integrated Demodulation Rings
- Die Cast Aluminum Chassis

**Applications**

The P Audio C18-600LF is a high output low frequency transducer. The C18-600LF is a upgraded design that features many of P Audio's new technologies and performance upgrades. The 18 inch (457mm) diameter piston will produce extremely high sound pressure levels at very low frequencies and is ideal for high level deep bass and sub woofer response in both live sound and recorded music venues. The operating range is 30Hz to 200Hz. The transducer uses high energy ferrite magnetics to achieve a very high acoustic output to weight ratio.

The C18-600LF employs a large 4 inch (101.6mm) diameter voice coil that provides an AES rated 1200 watts of continuous power handling and a full 4800 watts of peak rated power handling when sufficient amplifier headroom is available. The transducer has been optimized for use in properly tuned vented enclosures. The addition of an active high pass filter is always recommended if ultra high input levels are expected at low frequencies. The C18-600LF utilizes P Audio's Auto Balanced Cooling (ABC) technology to not only improve transducer power handling and reliability but to also increase power compression performance by carefully balancing and directing airflow to critical areas.

The voice coil design is a bobbin wound geometry with P Audio's precision flat wire technology to improve conversion efficiency and provide a large cross-sectional area for superior cooling.

The transducer employs magnetic flux demodulation devices in the structure to increase system fidelity and sonic accuracy. The suspension has been designed specifically for high linear displacement and extended low frequency response.

The transducer chassis is a die cast aluminum design that insures a very high degree of structural integrity.

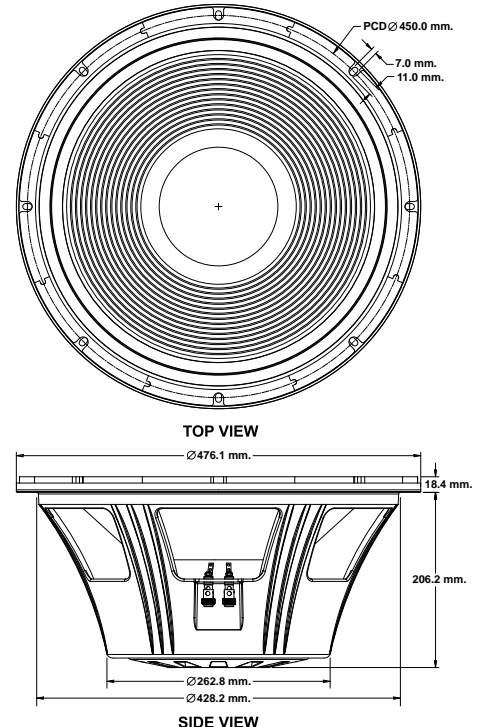
**Specifications**

**General Specifications**

Nominal diameter.....	457 mm/18 in
Power rating.....	1200 W(AES)
Nominal impedance.....	8Ω
Sensitivity.....	96 dB
Frequency range.....	30-200 Hz
Chassis type.....	Cast aluminum
Magnet type.....	Ferrite
Magnet weight.....	3.56 kg/125.6 oz
Voice coil diameter.....	101.6 mm/4.0 in
Coil material.....	CCA-R
Former material.....	Glass fiber
Cone material.....	Paper
Surround material.....	Cloth
Suspension.....	Single
X-max.....	5.25 mm/0.21 in
Gap depth.....	15.0 mm/0.59 in
Voice coil winding width.....	25.5 mm/1.0 in
Net Weight.....	13.5 kg/29.8 lb
Packing Dimension WxDxH (mm)	505mm x 505mm x 275mm
Shipping Weight.....	15.0 kg/33.1 lb

**Small Signal Parameters**

Re.....	5.6Ω
Fs.....	37 Hz
Mms.....	177.1 g/6.25 oz
Mmd.....	152.40 g/5.38 oz
Qms.....	8.52
Qes.....	0.50
Qts.....	0.47
Vas.....	214.75 lt/7.58 ft³
Bl.....	21.64 Tm
Cms.....	1.0e-04 m/N
Rms.....	4.83 Ns/m
Le (at 1kHz).....	0.64 mH



**Frequency Response and Impedance Curves**

